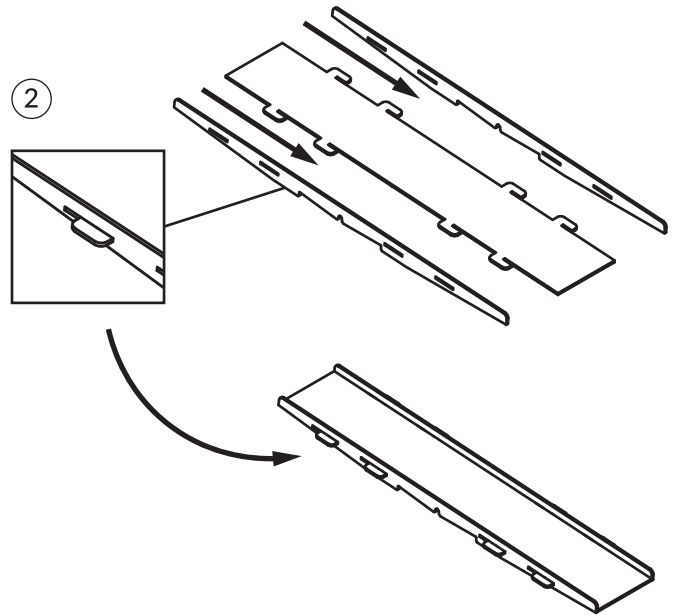
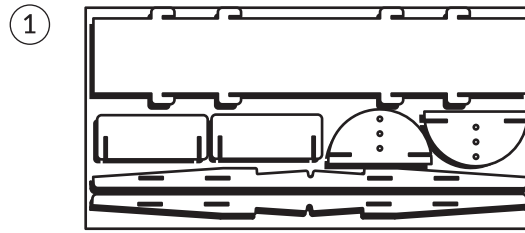


ASSEMBLY INSTRUCTIONS

SEESAW MODEL

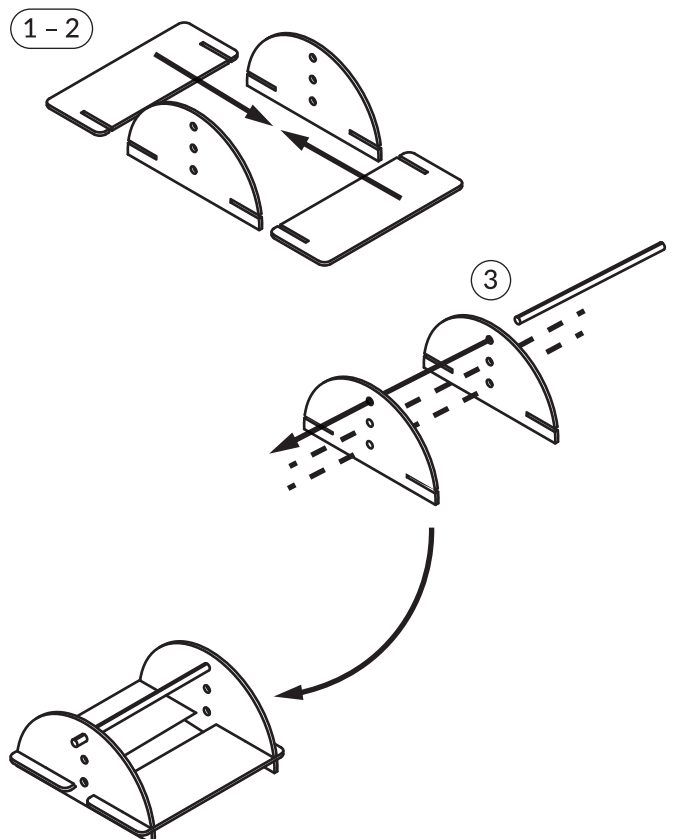
INSTRUCTIONS FOR THE PLANK:

1. Separate out all of the parts from the included punch out board.
2. Slot the long sides of the plank into the 4 tabs on each side on the main plank with the teal sides facing out and the central notch on the side walls facing the same side of the plank.
3. Slide the sides of the plank in a parallel manner to engage the sidewalls to the main plank. When assembled correctly the side walls and the edge of the main plank will all be in line.



INSTRUCTIONS FOR THE FULCRUM:

1. Hold the two semi-circle sidewalls in parallel, about six centimeters apart with the teal sides facing out and the flat sides facing down.
2. Slot the two teal rectangular pieces into the notches at the bottom of the semi-circle pieces.
3. Insert the bamboo skewer into one of the three fulcrum slots: low, middle or high.



ASSEMBLY INSTRUCTIONS

SEESAW MODEL

INSTRUCTIONS FOR THE BOARD:

1. Unfold the board, with print side up.
2. Place the assembled fulcrum in the two central slots.
3. Place the notched plank on the bamboo skewer.
4. Unfold the plank track and place it flat on the plank (Please note: The plank track will extend beyond the Seesaw, please DO NOT trim).
5. Align the black robot path on the plank track with the path on the board.

