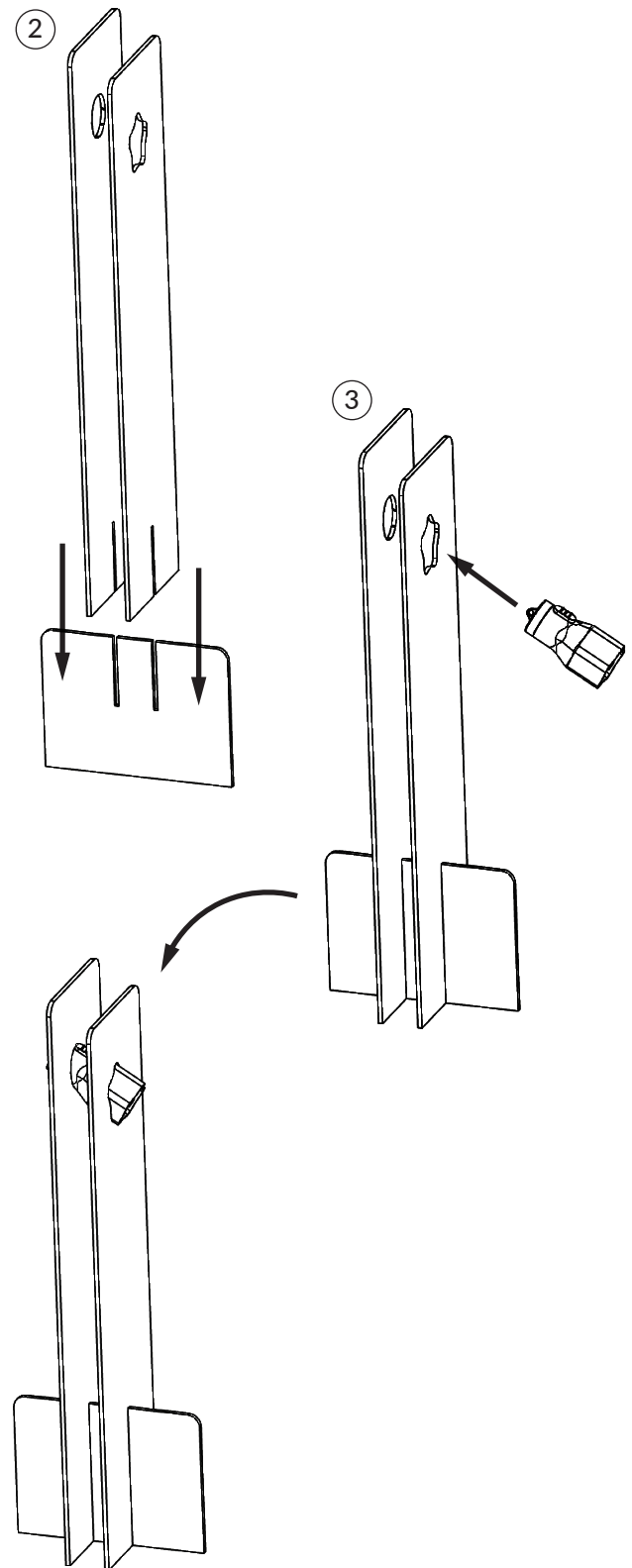


ASSEMBLY INSTRUCTIONS

SUNDIAL MODEL

INSTRUCTIONS FOR LIGHT STAND:

1. Punch out all of the black stand pieces from the board.
2. Slot the single black foot base into the two longer vertical pieces.
3. Insert the included flashlight into the model through two of the side cutouts for the Sun, so that the flashlight is secure and pointing downward at an angle.



ASSEMBLY INSTRUCTIONS

SUNDIAL MODEL

INSTRUCTIONS FOR SUNDIAL:

1. Attach the yellow shade to the round sundial disc face by inserting the 4 wooden tabs through the 4 rectangular holes along the bottom of the shade's edge, with the numbers facing inwards.
2. Place the provided wheel in the wheel notch at the top of the sundial, in-between the sundial and the shade (2A), then pin the wheel through the shade and into the edge of the sundial (2B).
3. Push the larger, flat top, thumbtack through the center of the sundial.
4. Insert the stick with the short "L" shaped foot through the rectangular hole in the face of the sundial (A) and the rounded end through the notched slot in the shade (B).
5. Place the point of the center thumbtack on the black dot in the middle of the circle on the board.
6. Arrange the Sun stand about 12 inches away from the center of the board with the center of the flashlight pointed at the center of the sundial.

