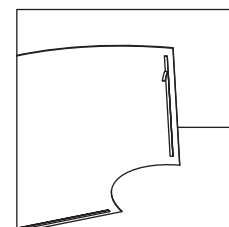
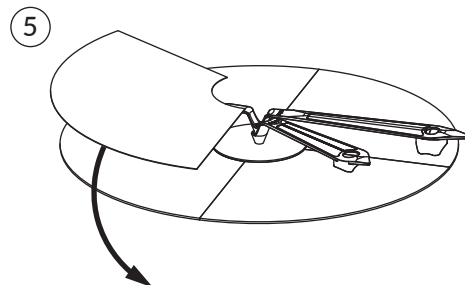
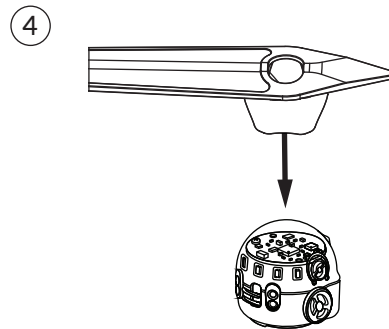
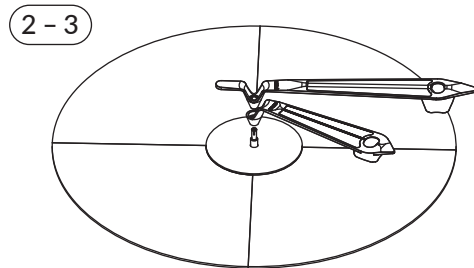
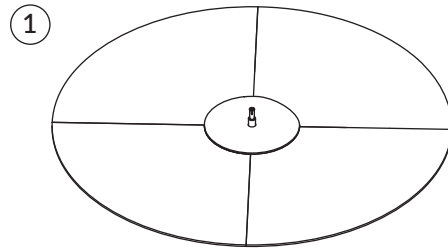


ASSEMBLY INSTRUCTIONS

OZO TELLS TIME MODEL

1. Unfold the clock mat and place it on a flat surface.
2. Place the cone-shaped end of the shorter hour hand on the pin in the center of the clock as shown.
3. Place the cone-shaped end of the longer minute hand on the pin over the hour hand.
4. If using Evo to move the hands, place the bot under the circle at the pointed end of the hand. The circles in the hands align with the printed lines on the mat.
5. If using the fraction pieces, place them printed side up on the clock face. Place the smaller arc against the raised center circle of the mat. If desired, the fraction pieces have sticky strips on the unprinted side to help the pieces stay in place.



STICKY STRIP
UNDERNEATH